

BOHRMASTER

Portable Magnetic Drilling Machine

German engineering and UK quality control combine with low cost manufacturing to produce the absolute best value in magnetic drills - **The Bohrmaster**

SPECIFICATIONS

Cutter Capacity	7/16 - 1-3/8 x 2"
Twist drill capacity	1/2"
Chuck capacity	1/2"
Motor Speed	450 RPM
Stroke	4.13"
Voltage	110v
Watts	1050w
Magnet Force	1700lbs
Height	13" (Down)
Magnet Footprint	6.3" X 3.15"
Weight	25.57 lbs

FEATURES

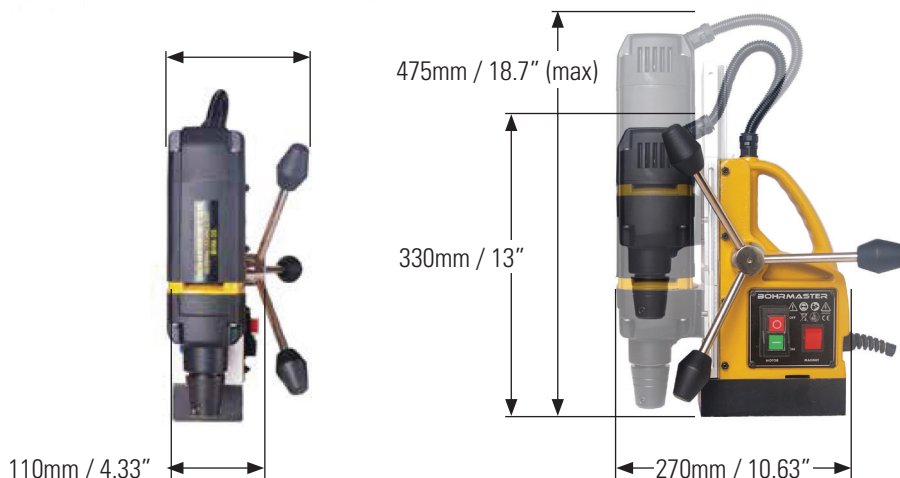
- Compact
- Lightweight
- Powerful
- Adjustable reach
- SUPERB VALUE!

Includes: Integral oilfeed system, Warranty, Carrying case, Allen keys, Safety strap & guard, Cutting Oil.

**1 YEAR WARRANTY
REPLACEMENT PARTS
& SERVICE AVAILABLE**



Removeable Safety Shield



BOHRMASTER

Portable Magnetic Drilling Machine

German engineering and UK quality control combine with low cost manufacturing to produce the absolute best value in magnetic drills - **The Bohrmaster**

SPECIFICATIONS

Cutter Capacity	7/16 - 1-3/8 X 2"
Twist drill capacity	1/2"
Chuck capacity	1/2"
Motor Speed	450 RPM
Stroke	4.13"
Voltage	110v
Watts	1050w
Magnet Force	1700lbs
Height	13" (Down)
Magnet Footprint	6.3" X 3.15"
Weight	25.57 lbs

FEATURES

- Compact
- Lightweight
- Powerful
- Adjustable reach
- SUPERB VALUE!

Includes: Integral oilfeed system, Warranty, Carrying case, Allen keys, Safety strap & guard, Cutting Oil.

**1 YEAR WARRANTY
REPLACEMENT PARTS
& SERVICE AVAILABLE**



Removeable
Safety Shield

