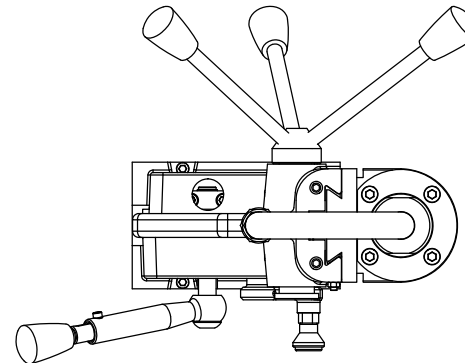
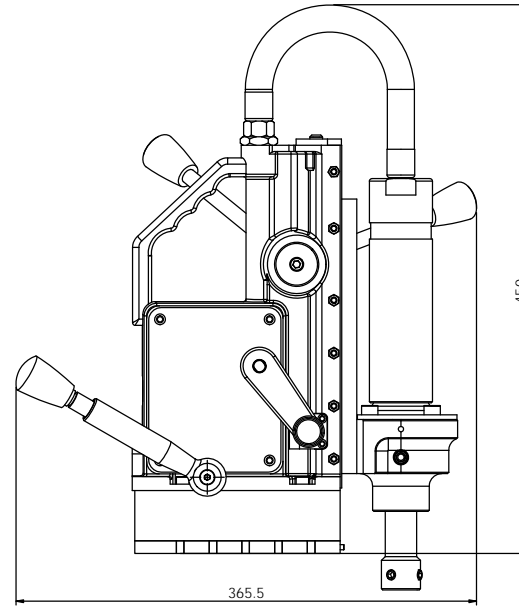
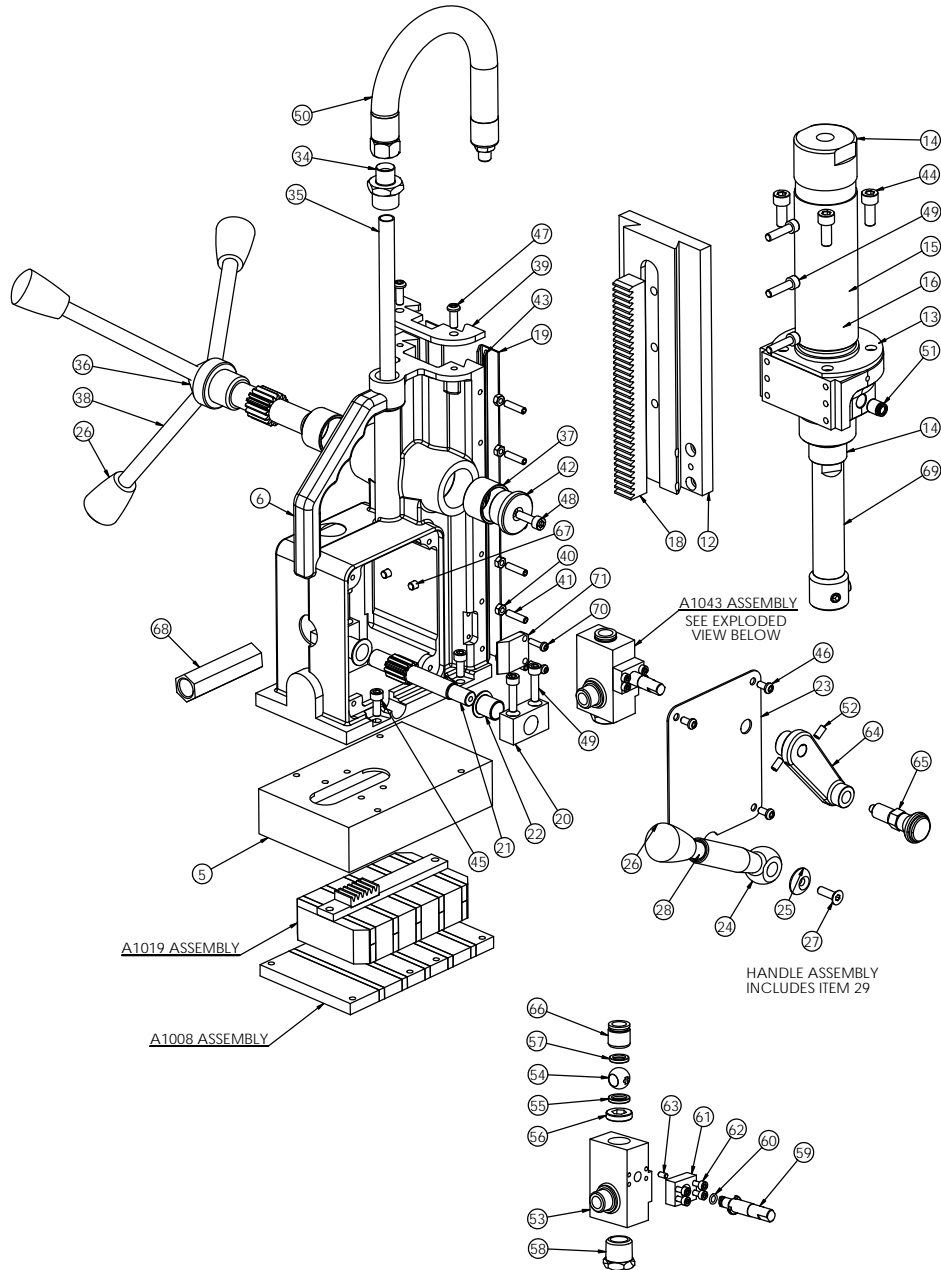


ISSUE	DESCRIPTION	DATE



ITEM NO.	QTY	PART NO.	DESCRIPTION
1	5	A 1006	MAGNET BOTTOM PLATE MAG. SECTION
2	5	A 1007	MAGNET BOTTOM PLATE NON-MAG. SECTION
3	1	A 1005	MAGNET BOTTOM PLATE END SECTION
4	2	A 1001	MAGNET BASE STIFFENING ROD
5	1	A 1004	MAGNET SHELL
6	1	20348AIR	MINI-BOR BODY AIRBOR
7	2	A 1020	MAGNET CARTRIDGE END PLATE
8	5	A 1021	MAGNET CARTRIDGE NEODYMIUM MAGNET
9	5	A 1022	MAGNET CARTRIDGE ALUMINIUM SPACER
10	4	A 1023	MAGNET CARTRIDGE STEEL SPACER
11	1	A 1010	MAGNET CARTRIDGE RACK
12	1	A 1017	SLIDE FOR AIRBOR MOTOR
13	1	A 1018	AIRBOR BOTTOM STEADY
14	1	A 1024	AIRBOR MOTOR
15	1	M 0521	AIRBOR GUIDE BUSH
16	1	M 0050-1	Ø38xØ25x5 OIL SEAL
17	1	M 0050-2	Ø35xØ25x5 OIL SEAL
18	1	Ø25	RACK
19	2	60100A	BRASS STRIP
20	2	A 1003	MAGNET PINION SUPPORT BLOCK
21	1	A 1009	MAGNET BASE PINION SHAFT
22	2	A 1025	Ø10.5x14.5x7 MAGNET PINION SHAFT BUSH
23	1	A 1016	AIRBOR FASCIA PLATE
24	1	A 1015	AIRBOR MAGNET LEVER
25	1	A 1014	AIRBOR MAGNET LEVER LOCKING CAP
26	4	Ø6x6	PLASTIC HANDLE KNOBS
27	1	SC620SK	M6x20Lg SKW SCREW
28	1	A 1041	HANDLE EXTENSION LEVER
29	1	SC48CAP	M4x8Lg CAPSCREW
30	1	A 1026	LUBRICATING TANK
31	1	A 1027	BLANKING PLUG
32	1	A 1029	3-8in BONDED SEAL
34	1	A 1034	HOSE COUPLING
35	1	A 1038	SEAL TUBE Ø9x19.5Lg
36	1	M 0042	PINION SHAFT
37	2	M 0081	PINION SHAFT BUSH
38	3	Ø081	HANDLE SHAFT
39	1	Ø34	BODY TOP PLATE
40	6	NUT-M5	M5 FULL NUT
41	6	SC520GRUB	M5x20Lg GRUB SCREW
42	1	M 0072C	PINION END CAP BORE
43	1	20349	GB STRIP
44	4	SC60CAP	M6x16Lg CAPSCREW
45	4	SC68CAP	M6x18Lg CAPSCREW
46	4	SC518BUT	M6x16Lg BUTTON HEAD SCREW
47	2	SC188BT	M6x16Lg BUTTON HEAD SCREW
48	1	SC60CAP	M6x16Lg CAPSCREW
49	7	SC82SCAP	M6x28Lg CAPSCREW
50	1	A 1040	AIR HOSE
51	1	M 0096	Ø6mm PUSH FIT FITTING
52	1	SC518GRUB	M5x16Lg GRUB SCREW
53	1	A 1043	AIR VALVE BLOCK
54	1	A 1043-01	AIR VALVE BALL
55	1	A 1043-09	AIR VALVE WASHER - 17mm
56	1	A 1043-05	AIR VALVE BALL RETAINING SCREW
57	1	A 1043-04	AIR VALVE WASHER - Ø3.3mm
58	1	A 1043-06	AIR VALVE M14 P.LUG
59	1	A 1043-07	AIR VALVE LEVER ROD
60	1	A 1043-08	5x4x1.5 O-RING
61	1	A 1045	AIR VALVE LEVER RETAINER
62	4	SC48CAP	M4x8Lg CAP SCREW
63	1	DWL-4X7.5	DOWEL 4 x 7.5
64	1	A 1046	AIR VALVE LEVER
65	1	A 1051	HANDLE LOCK PLUNGER
66	1	A 1047	Ø2mm PUSH FIT FITTING
67	2	SC60CAP	M6x16Lg CAP SCREW
68	1	A 1049	TANK REPLACEMENT BAR
69	1	M 0502B	SMALL DRILL LONG REACH AIRBOR
70	2	SC48BUT	M4x8Lg BUTTON HEAD SCREW
71	1	A 1050	MOTOR LOCK PLATE

ORIGINAL ISSUE	REF.	TOLERANCES UNLESS OTHERWISE STATED	TITLE	SCALE
M.KAYE	(DRAWN)	±0.025	AIRBOR ASSEMBLY	1:3
DES. APP.	1000	±0.025	MATERIAL	AS SPECIFIED
CHECKED	1000	±0.025	FINISH	TBA
DATE	16.10.04	±0.025	DRG. No.	AIRBOR ASSY
			SHT: 1	OF: 1